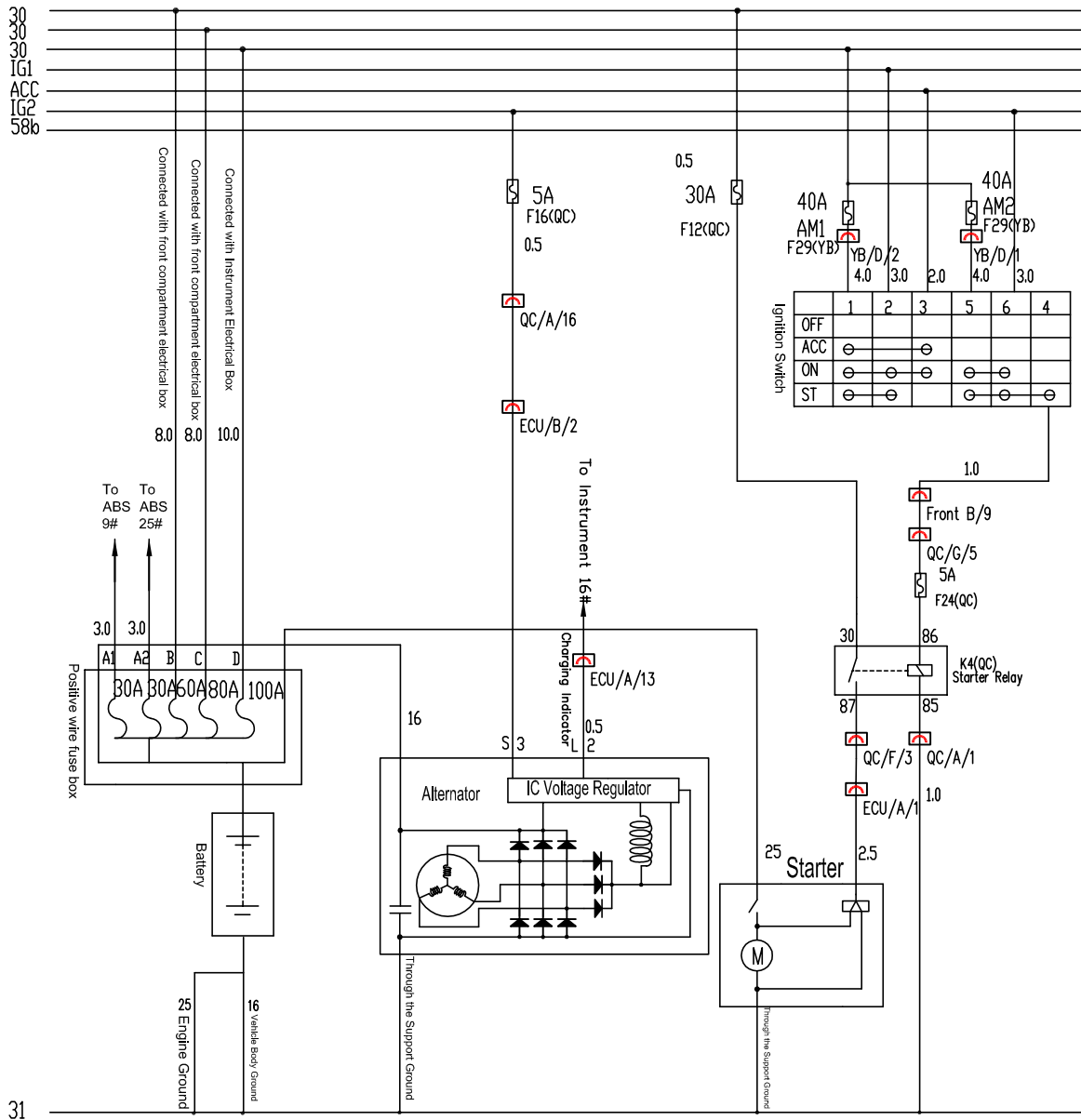


Startup and Charging System



31

1. The pins 1 and 5 of ignition switch are available for the power supply of battery 30.
2. The pin 2 of ignition switch is applied for the IG1 power supply. This pin is divided into two branches, one of which connects to the instrument electrical box E1; and the other connects to the front compartment electrical box G3 using the connector (front B/10).
3. The pin 2 of ignition switch is used for the ACC power supply. This pin is divided into two branches, one of which connects to the instrument electrical box E4; and the other connects to the front compartment electrical box G6 using the connector (front B/18).
4. The pin 2 of ignition switch is designed for the IG2 power supply. This pin is divided into two branches, one of which connects to the instrument electrical box E2; and the other connects to the front compartment electrical box I6 using the connector (front A/L).